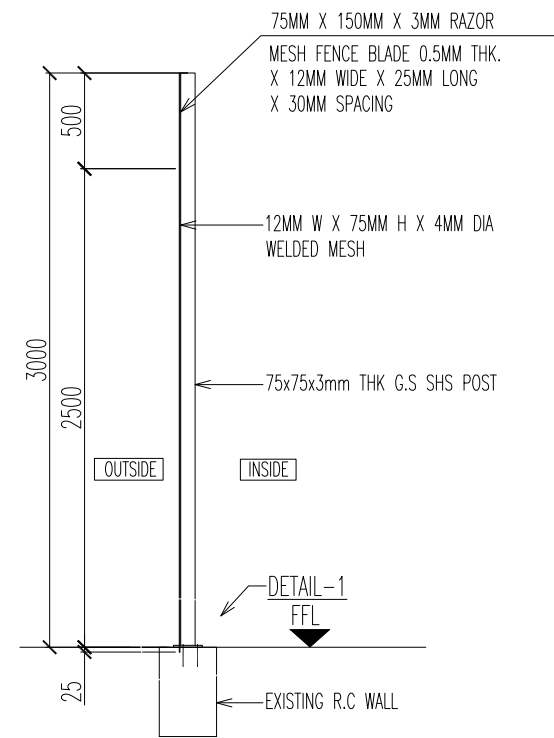
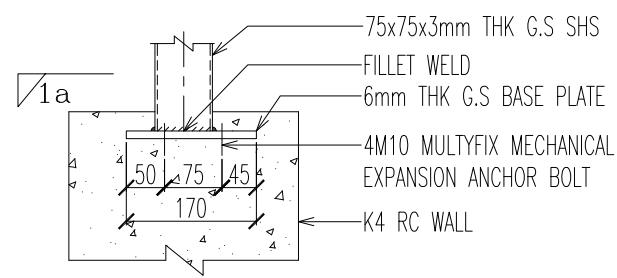


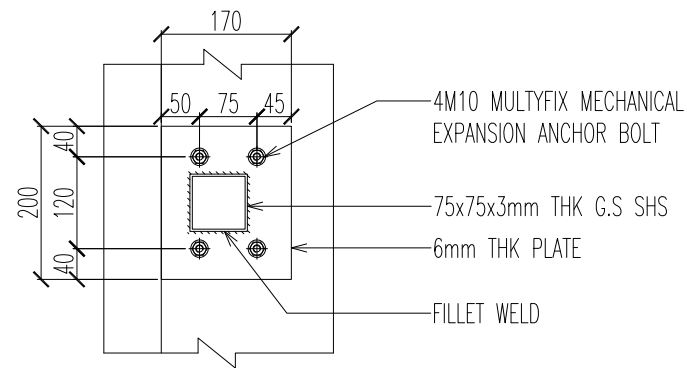
ELEVATION OF FENCING
SCALE 1:40



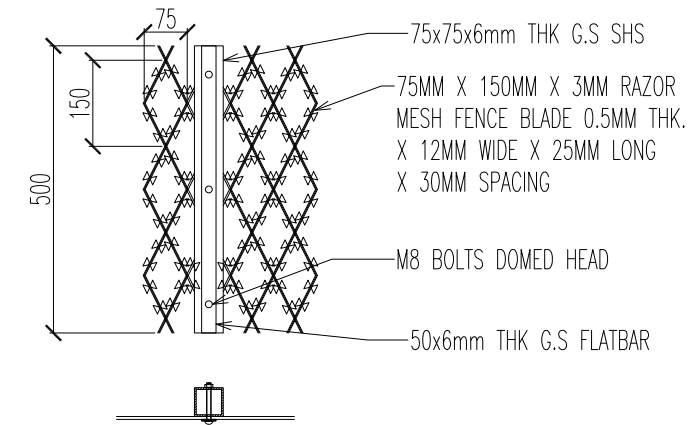
SECTION A-A
SCALE 1:40



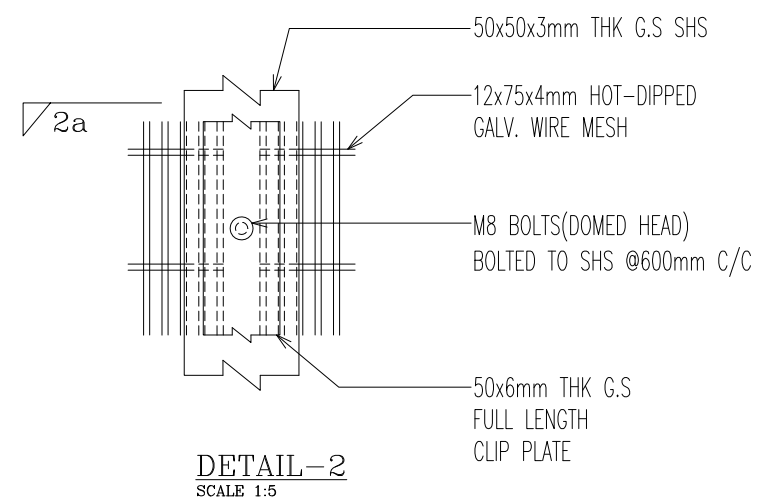
DETAIL-1
SCALE 1:10



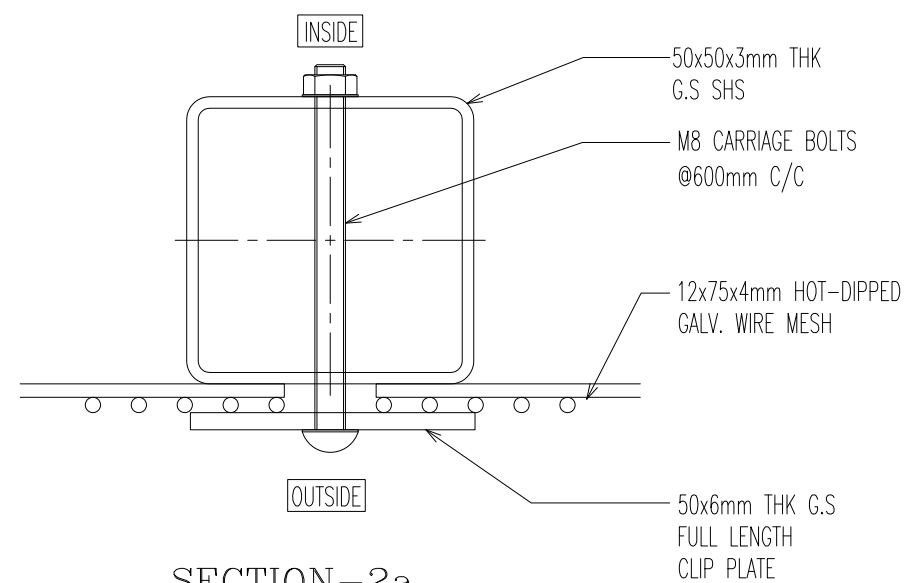
SECTION-1a
SCALE 1:10



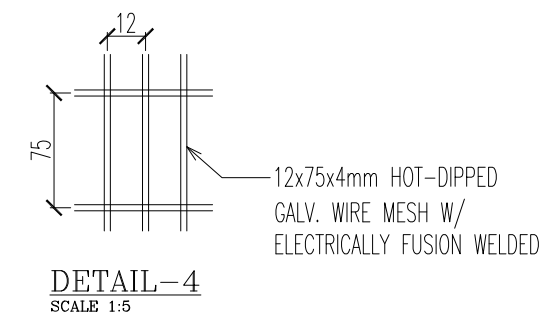
DETAIL-3
SCALE 1:10



DETAIL-2
SCALE 1:5



SECTION-2a
SCALE 1:2



DETAIL-4
SCALE 1:5